



PROJECT		REF		REV	ITEM CODE	
LOCATION		DATE			PAGE	

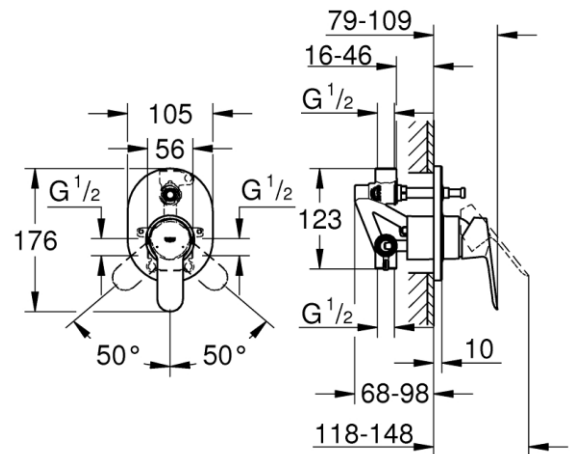
SANITARY WARE SPECIFICATION SHEET

Item Descriptions	GROHE (Germany) "BauEdge" Chrome plated single-lever bath & shower mixer with set for final installation concealed body
Dimensions	L148 x W105 x H176 mm
Model	29039001
Material	Chrome Plated
Country of Origin	Germany
Manufacturer	GROHE Limited
Supplier	Acme Sanitary Ware Co. Ltd Mr. Eric Wong/ Mr. Don Yuen
Contact Tel/Fax	(852) 2388-7171 / (852) 2710-8012
E-mail	acme@acmesanitary.com.hk
Website	www.acmesanitary.com.hk

Illustration/ Drawing



Product Descriptions	
concealed installation	
Consists of: external final assembly kit Interior 46 mm GROHE Longlife ceramic cartridge GROHE	
StarLight chrome finish adjustable flow restrictor automatic switch: bath / shower socket and gasket additional temperature limiter ref. 46505000	



Note:

* All information of the above is for the reference only. No prior notice is made if any changes.



Supplies Department

Suppliers

士打道七號入境事務大樓 48 樓

Immigration Tower, 7 Gloucester Road, Wan Chai, Hong Kong

本署編號 : (2) in WSD 3321/2022 T/J(139/2022)
Our ref.
來函編號
Your ref.

電話 :
Tel.
傳真 : 2824 0578
Fax.

7 March 2022



Approval of "GROHE" Bath Mixer (General Acceptance No. C20220166)

Your letter ref. WRC/2738 dated 7 February 2022 refers.

Having considered the test report ref. J27558 issued on 28 January 2022 by Nutek Systems (HK) Ltd., this Authority accepts that the fitting described below complies with, and its use when correctly installed does not contravene, the Waterworks Ordinance and Regulations.

Name of Manufacturer: Grohe AG
Country of Origin: Germany
Brand: Grohe
Details of Fitting: 1/2" Single lever bath mixer
Model: 29039XX1
(where "XX" denote the code of colour)
Body Markings: 
Expiry Date: 13 January 2027



This Authority hereby permits the use of the above fitting in fresh water plumbing systems subject to full adherence to Waterworks installation requirements. In particular, you are required to draw your customers' attention to the following requirement-

"The cold water supply to the fitting shall be drawn from the same source that supplies the hot water apparatus so as to provide a balanced pressure and to obviate the risk of scalding in the event of a restriction or failure in the water supply." AND

"The shower head or handspray should not be placed in submerged conditions and should be securely fixed to the original position after use."

A condition of this acceptance is that the fitting to be installed shall be replicas of the sample as certified by the testing agent mentioned above and without modifications. This acceptance may be withdrawn at any time if the standard of the fitting installed fails to meet that of the approved sample or if the fitting is found to be unsuitable for use in fresh water plumbing systems.

This acceptance is only applicable to the main body of the fitting, unless otherwise specified.

For the use of the fitting in any project, the General Acceptance Number of this letter must be quoted as a means of identification of acceptance of the fitting by this Authority.

Should you have any enquiries, please contact our Engineer Ms Winnie LO at tel. no. 3583 4086.

Yours faithfully,



(YAU Hau Yin)
for Director of Water Supplies

Encl.

c.c. WSD 3321/1/82] - without catalogue
ME/MC] - with soft copy only